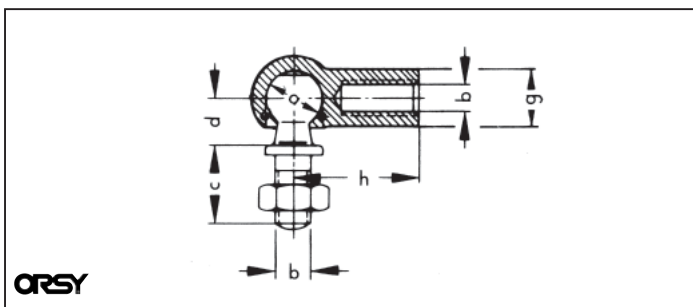
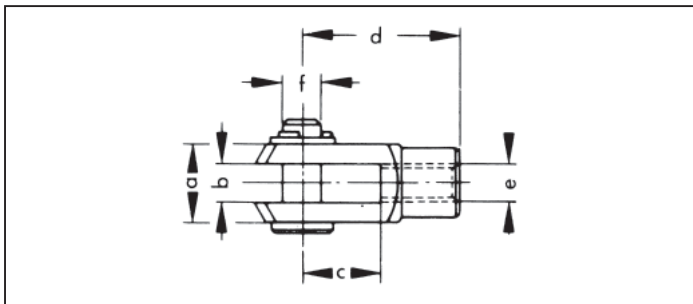




Fork Joints DIN 71751

with cotter pins, galvanized, blue passivated (A2K)

a in mm	b x c in mm	d in mm	e in mm	f in mm	galv., blue pass. Art. No.	P. Qty.
10	M 5 x 20	30	M 5	5	0268 005 20	10
12	M 6 x 12	24	M 6	6	0268 006 12	
12	M 6 x 24	36	M 6	6	0268 006 24	
16	M 8 x 16	32	M 8	8	0268 008 16	
16	M 8 x 32	48	M 8	8	0268 008 32	
20	M 10 x 20	40	M 10	10	0268 010 20	5
20	M 10 x 40	60	M 10	10	0268 010 40	
24	M 12 x 24	48	M 12	12	0268 012 24	
24	M 12 x 48	72	M 12	12	0268 012 48	
27	M 14 x 28	56	M 14	14	0268 014 28	
27	M 14 x 56	86	M 14	14	0268 014 56	



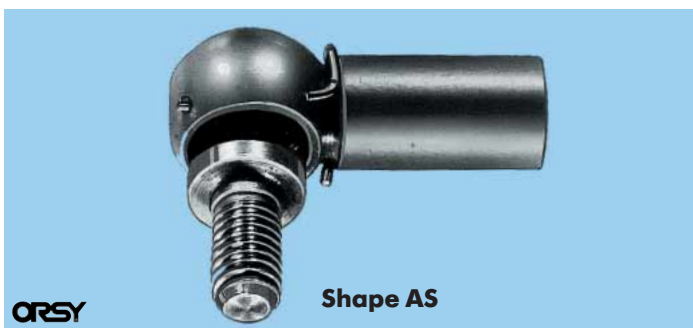
Angle Joints DIN 71802

with spring catch, Shape A, right-hand thread, galvanized, blue passivated (A2K)

a in mm	b x c in mm	d in mm	g in mm	h in mm	galv., blue pass. Art. No.	P. Qty.
8	M 5 x 10	9	8	22	0268 205 10	10
10	M 6 x 11.5	11	10	25	0268 206 12	
13	M 8 x 14	13	13	30	0268 208 16	
16	M 10 x 15.5	16	16	35	0268 210 19	5
16	M 12 x 15.5	16	16	35	0268 212 19	

with spring catch and circlip, long version, galvanized, blue passivated (A2K)

a in mm	b x c in mm	d in mm	g in mm	h in mm	galv., blue pass. Art. No.	P. Qty.
10	M 6 x 12.5	11	10	38	0268 306 12	10
13	M 8 x 16.5	13	13	46	0268 308 16	
16	M 10 x 20	16	16	52	0268 310 19	5



with spring catch and circlip, Shape AS, galvanized, blue passivated (A2K)

a in mm	b x c in mm	d in mm	g in mm	h in mm	galv., blue pass. Art. No.	P. Qty.
8	M 5 x 10.2	9	8	22	0268 505 10	10
10	M 6 x 12.5	11	10	25	0268 506 12	
13	M 8 x 16.5	13	13	30	0268 508 16	
16	M 10 x 20	16	16	35	0268 510 19	5

with spring catch and circlip, Shape AS, left-handed thread, galvanized, blue passivated (A2K)

a in mm	b x c in mm	d in mm	g in mm	h in mm	galv., blue pass. Art. No.	P. Qty.
8	M 5 x 10.2	9	8	22	0268 605 10	5
10	M 6 x 12.5	11	10	25	0268 606 12	
13	M 8 x 16.6	13	13	30	0268 608 16	
16	M 10 x 20	16	16	35	0268 610 19	

